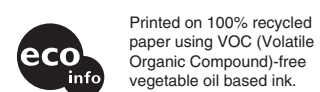


IC Recorder

Operating Instructions

Owner's Record
The model number is located at the rear and the serial number is located inside the battery compartment. Record the serial number in the space provided below. Refer to these numbers whenever you call upon your Sony dealer regarding this product.

Model No. ICD-MX20 Serial No. _____



Printed on 100% recycled paper using VOC (Volatile Organic Compound)-free vegetable oil based ink.

ICD-MX20

©2005 Sony Corporation Printed in China

http://www.sony.net/

For the customers in the USA

INFORMATION

This equipment has been tested and found to comply with the limits for a Class B digital device, pursuant to Part 15 of the FCC Rules. These limits are designed to provide reasonable protection against harmful interference in a residential installation. This equipment generates, uses, and can radiate radio frequency energy and, if not installed and used in accordance with the instructions, may cause harmful interference to radio communications.

However, there is no guarantee that interference will not occur in a particular installation. If this equipment does cause harmful interference to radio or television reception, which can be determined by turning the equipment off and on, the user is encouraged to try to correct the interference by one or more of the following measures:

- Reorient or relocate the receiving antenna.
- Increase the separation between the equipment and receiver.
- Connect the equipment into an outlet on a circuit different from that to which the receiver is connected.
- Consult the dealer or an experienced radio/TV technician for help.

You are cautioned that any changes or modifications not expressly approved in this manual could void your authority to operate this equipment.

For "Memory Stick"

This device complies with Part 15 of the FCC Rules. Operation is subject to the following two conditions: (1) This device may not cause harmful interference, and (2) this device must accept any interference received, including interference that may cause undesired operation.

If you have any questions about this product, you may call: Sony Customer Information Services Center 1-800-222-7669 or http://www.sony.com/

Declaration of Conformity

Trade Name: SONY
Model: ICD-MX20
Responsible Party: Sony Electronics Inc.
Address: 16450 W. Bernardo Dr, San Diego, CA 92128 USA
Telephone Number: 858-442-2320
This device complies with part 15 of the FCC Rules. Operation is subject to the following two conditions: (1) This device may not cause harmful interference, and (2) this device must accept any interference received, including interference that may cause undesired operation.

Notice for users

Program © 1999, 2000, 2001, 2002, 2003, 2004, 2005 Sony Corporation
Documentation ©2005 Sony Corporation

All rights reserved. This manual or the software described herein, in whole or in part, may not be reproduced, translated or reduced to any machine readable form without prior written approval from Sony Corporation.

IN NO EVENT SHALL SONY CORPORATION BE LIABLE FOR ANY INCIDENTAL, CONSEQUENTIAL OR SPECIAL DAMAGES, WHETHER BASED ON TORT, CONTRACT, OR OTHERWISE, ARISING OUT OF OR IN CONNECTION WITH THIS MANUAL, THE SOFTWARE OR OTHER INFORMATION CONTAINED HEREIN OR THE USE THEREOF.

Sony Corporation reserves the right to make any modification to this manual or the information contained herein at any time without notice.

The software described herein may also be governed by the terms of a separate user license agreement.

- This software is for Windows and cannot be used for Macintosh.
- The supplied connecting cable is for the IC Recorders ICD-MX20. You cannot connect other IC Recorders.

Information

IN NO EVENT SHALL SELLER BE LIABLE FOR ANY DIRECT, INCIDENTAL OR CONSEQUENTIAL DAMAGES OF ANY NATURE, OR LOSSES OR EXPENSES RESULTING FROM ANY DEFECTIVE PRODUCT OR THE USE OF ANY PRODUCT.

The validity of the CE marking is restricted to only those countries where it is legally endorsed, mainly in the countries EEA (European Economic Area).

Trademarks

- "Memory Stick" and are trademarks of Sony Corporation.
 - "MagicGate Memory Stick" is the trademark of Sony Corporation.
 - "Memory Stick Duo" and **MEMORY STICK DUO** are trademarks of Sony Corporation.
 - "Memory Stick PRO Duo" and **MEMORY STICK PRO DUO** are trademarks of Sony Corporation.
 - IBM and PC/AT are registered trademarks of International Business Machines Corporation.
 - Microsoft, Windows and Outlook are trademarks of Microsoft Corporation, registered in the USA and other countries.
 - Portion Copyright ©1995 Microsoft Corporation
 - Apple and Macintosh are trademarks of Apple Computer Inc., registered in the USA and other countries.
 - Pentium is a registered trademark of Intel Corporation.
 - NaturallySpeaking, Dragon Systems are trademarks owned by ScanSoft, Inc. and are registered in the United States and/or other countries.
 - All other trademarks and registered trademarks are trademarks or registered trademarks of their respective holders. Furthermore, "™" and "®" are not mentioned in each case in this manual.
- The "Digital Voice Editor" uses software modules as shown below.
- ©2001 Microsoft Corporation. All rights reserved.

Getting started

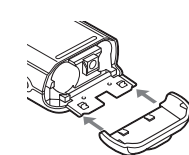
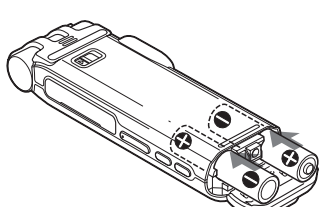
Step 1: Installing the Batteries

1 Slide and open the battery compartment lid.

2 Insert two LR03 (size AAA) alkaline batteries with correct polarity, and close the lid. Make sure to insert batteries into the unit from the - end first.

When you insert batteries for the first time, or when you insert batteries after the unit has been without batteries for a certain period of time, "Set Date&Time" appears. Please refer "Step 2. Setting the Clock" to set the date and time.

If the battery compartment lid is accidentally detached, attach it as illustrated.



Replacing the batteries

The battery indicator on the display window shows the battery condition:

- Replace both of the two batteries with new ones.

"Replace Batteries" appears and the unit will stop operation.

Battery life* (Using Sony alkaline batteries LR03 (SG))

Recording mode: ST STLP SP LP

In recording: 8 hr. 9 hr. 30 min. 9 hr. 30 min. 10 hr. 30 min.

In playback: 8 hr. 9 hr. 9 hr. 9 hr.

(hr.: hours/min.: minutes)

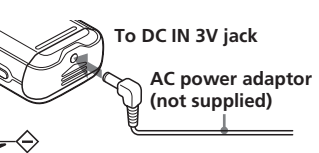
* In continuous recording/playback in approximate hours and minutes

* When playing back through the internal speaker with the medium volume level

* The battery life may shorten depending on the operation of the unit.

Using on house current

Connect the AC power adaptor (not supplied) to the DC IN 3V jack of the unit and to the wall outlet. Do not use any other AC power adaptor.



Step 2: Setting the Clock

You need to set the clock to use the alarm function or record the date and time. When you insert batteries for the first time, or when you insert batteries after the unit has been without batteries for a certain period of time, "Set Date&Time" appears. Set the date and time as follows:

To display the clock setting window and current time

You can display the clock setting window to set the date and time or check the current time:

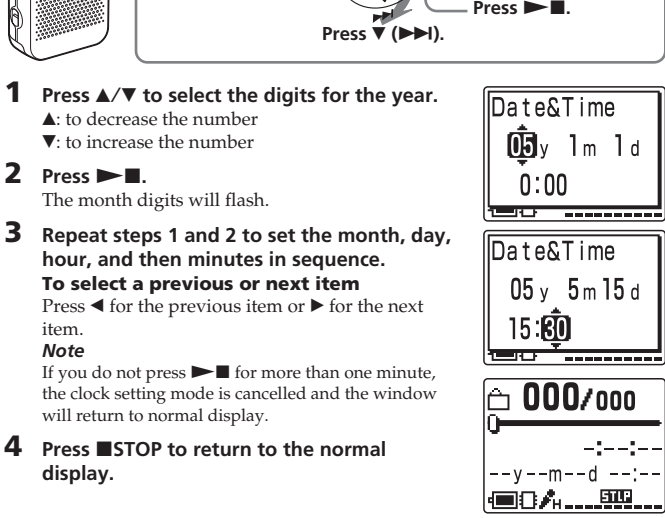
1 Press (MENU) to display the menu.

2 Press (V) to select (Preferences) and then press (M).

3 Press (V) to select "Date&Time". The current time is displayed in the right bottom of the display window.

4 To set the clock, press (M) to display the "Date&Time" window and then press (M) through 4 of the "Step 2: Setting the Clock".

Tip
This unit does not have a power on/off function. The display is shown at all times.



Notes on batteries

- Do not use manganese batteries for this unit.
- Do not charge dry batteries.
- When you are not going to use the unit for an extended period of time, remove the batteries to prevent damage from battery leakage and corrosion.

When you insert the batteries for the first time after purchasing (initializing the memory)

"ACCESS" appears in the display window and the internal memory is initialized automatically to create 5 folders (FOLDER01 to FOLDER05).

Notes while "ACCESS" appears

- The unit is accessing data while "ACCESS" appears in the display window or the OPR indicator lights or flashes in red or orange. While accessing, do not remove the batteries or AC adaptor (not supplied). Doing so may damage the data.
- If the unit is required to process excessive amount of data, "ACCESS" may be displayed for an extended period of time. This is not a malfunction of the unit. Wait until the message disappears.

Playing Back Messages

When playing back a previously recorded message, start from Step 1. When playing back a message you have just finished recording, start from Step ②.

1 Select the folder.

Follow the step 2 in "Recording Messages".

2 Select the message and start playback.

(headphones) jack

① Press (V) to display the desired message number.
▲: for previous message number
▼: for next message number

② Press (M) to select message number/Number of messages in the selected folder.
▶: Playback slider
◀: Counter display*

③ Adjust the volume with VOLUME +/-.
* The display selected with the "Display" in the menu appears.
**When the "LED" in the menu is set to "OFF", the OPR indicator turns off.

OPR indicator** (lights in green during playback)

The unit plays all the messages in a folder continuously and stops at the beginning of the last message in the folder. (You change the "Play Mode" in the menu so that the unit plays a message and then stop at the beginning of the next message.)

To stop at the current position
Press (M) or (M)STOP. To resume playback from that point, press (M) again.

go back to the beginning of the current message
Press (M) once.*

skip to the next message
Press (M) once.*

go back to previous messages/skip to succeeding messages
Press (M) or (M) repeatedly. (During stop mode, keep the key pressed to skip the messages continuously.)

* These operations are for when "Easy Search" in the menu is set to "OFF".

Operating the Menu

During stop, playback or recording, you can use the menu to change the operation modes in playback and recording, display mode, or other settings. Display the menu and change the settings as follows:

To enter the menu mode
Press (MENU).

2 select the desired menu item. Press (V) and press (M).

3 select the desired menu item. Press (V) and press (M).

go back to the previous step.
Press (M) to select "2" and press (M). (If "2" does not appear, press (M).)

4 select the setting item. Press (V) and press (M).

5 exit the menu mode. Press (M)STOP.

If you do not press the key or button for one minute, the menu mode is automatically cancelled and the window will return to normal display.

How the display changes in the menu mode

1 REC Mode
M Mic Sense
M VOR
M VOR

2 Display
M Date&Time
M STLP
M SP
M LP
M Elapsed Time

3 Display
M Folder
M Folder
M Folder
M Folder
M Folder

4 Erase menu
M Erase MSG
M Erase AllMSG
M Erase Folder
M Format

5 Edit menu
M Priority
M Move MSG
M Alarm
M Add Folder
M Edit Folder

6 Preferences menu
M Display
M Date&Time
M Beep
M LED
M Backlight
M List View

7 Erase menu
M Erase MSG
M Erase AllMSG
M Erase Folder
M Format

8 Edit menu
M Priority
M Move MSG
M Alarm
M Add Folder
M Edit Folder

9 Preferences menu
M Display
M Date&Time
M Beep
M LED
M Backlight
M List View

10 Erase menu
M Erase MSG
M Erase AllMSG
M Erase Folder
M Format

11 Edit menu
M Priority
M Move MSG
M Alarm
M Add Folder
M Edit Folder

12 Preferences menu
M Display
M Date&Time
M Beep
M LED
M Backlight
M List View

13 Erase menu
M Erase MSG
M Erase AllMSG
M Erase Folder
M Format

14 Edit menu
M Priority
M Move MSG
M Alarm
M Add Folder
M Edit Folder

15 Preferences menu
M Display
M Date&Time
M Beep
M LED
M Backlight
M List View

16 Erase menu
M Erase MSG
M Erase AllMSG
M Erase Folder
M Format

17 Edit menu
M Priority
M Move MSG
M Alarm
M Add Folder
M Edit Folder

18 Preferences menu
M Display
M Date&Time
M Beep
M LED
M Backlight
M List View

19 Erase menu
M Erase MSG
M Erase AllMSG
M Erase Folder
M Format

20 Edit menu
M Priority
M Move MSG
M Alarm
M Add Folder
M Edit Folder

21 Preferences menu
M Display
M Date&Time
M Beep
M LED
M Backlight
M List View

22 Erase menu
M Erase MSG
M Erase AllMSG
M Erase Folder
M Format

23 Edit menu
M Priority
M Move MSG
M Alarm
M Add Folder
M Edit Folder

24 Preferences menu
M Display
M Date&Time
M Beep
M LED
M Backlight
M List View

25 Erase menu
M Erase MSG
M Erase AllMSG
M Erase Folder
M Format

26 Edit menu
M Priority
M Move MSG
M Alarm
M Add Folder
M Edit Folder

27 Preferences menu
M Display
M Date&Time
M Beep
M LED
M Backlight
M List View

28 Erase menu
M Erase MSG
M Erase AllMSG
M Erase Folder
M Format

29 Edit menu
M Priority
M Move MSG
M Alarm
M Add Folder
M Edit Folder

30 Preferences menu
M Display
M Date&Time
M Beep
M LED
M Backlight
M List View

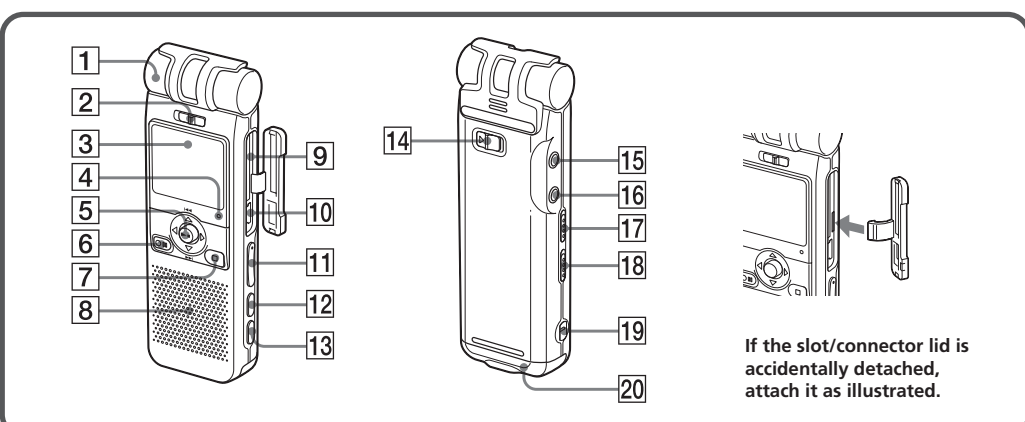
31 Erase menu
M Erase MSG
M Erase AllMSG
M Erase Folder
M Format

32 Edit menu
M Priority
M Move MSG
M Alarm
M Add Folder
M Edit Folder

33 Preferences menu
M Display
M Date&Time
M Beep
M LED
M Backlight
M List View

Index to Parts and Controls

Identifying the front and rear panels of the unit



1 Built-in monaural/stereo microphone (directional/all-directional)

You can set the directivity with the DIRECTNL switch (2), and sensitivity with the "Mic Sense" in the menu.

2 DIRECTNL (directional) ON (MONO)/OFF switch

Slide the switch to set the directivity of the built-in microphone (1) as follows:

ON (MONO): To record a sound centering on a specific direction in monaural. Use this position when you record a sound at a conference/meeting or in a spacious place etc.

OFF: To record a sound not centering on a specific direction (all-directional recording).

Notes
• The DIRECTNL switch is set to "ON", sound is recorded in monaural even if you select ST or STLP mode.
• In the ST and STLP mode, sound is recorded in higher quality sound thanks to their higher bit rates even in the monaural recording.

3 Display window

For the details, see "Using the display window" below.

4 OPR (operation) indicator

The indicator lights in red during recording or in green during playback. It flashes in red during recording pause. During accessing the data, it lights or flashes in red or orange. You can turn off the indicator with the "LED" in the menu.

5 Control key

(MENU) (folder) (left) (review) (right) (fast forward) (play) (stop+enter)

6 HIREC (record)/PAUSE button

Press here to start and pause recording.

7 STOP button

Press here to stop operation.

8 Speaker

Sound is heard when no headphones or active speaker are connected.

9 MEMORY STICK slot

Insert the "Memory Stick Duo" or "Memory Stick PRO Duo" here.

10 USB connector

Use the USB cable to connect a PC here.

11 VOLUME (volume) +/- button

Adjust the playback sound with the button.

12 ADJUST button

Press to divide a message during playback.

13 A-B (repeat) button

Press to specify the beginning and ending points of the portion to be played back repeatedly.

14 Microphone plug (PLUG IN POWER)

You can connect an external microphone here. When an external microphone is connected, the built-in microphone is automatically cut off.

15 DPC ON/OFF switch

You can play back a message at a higher or lower speed as follows:

ON: "Fast Play" or "Slow Play" will be displayed and a message is played back at the speed specified with the "DPC" in the menu (between twice the normal speed (+100%) and half the normal speed (-50%).

OFF: A message is played back at the normal speed.

16 VOICE UP (Digital Voice Up) ON/OFF switch

You can make the playback sound well-balanced and more audible by enabling the Digital Voice Up function as follows:

ON: Digital Voice Up function is activated. Inaudible low-level part of a recorded message is amplified so that the overall recording is adjusted to its optimum level.

OFF: A message is played back without Digital Voice Up function.

Note
Depending on the area you purchased the unit, the Digital Voice Up switch name shown on the unit may differ.

17 Slit for a handstrap

You can attach a handstrap (not supplied) here.

20 Battery compartment/DC IN 3V jack

Open the compartment lid and insert two LR03 (size AAA) alkaline batteries.

Using the display window

One message view

1 2 3 4
005/045
05y10m15d 13:26
000:00
05y10m15d 13:26
000:00
14|13|12|11|10|9

List view (in stop mode)

1 15 16
FOLDER01
005y10m15d 8:25
002 05y10 7 15:09
003 05y10 7 10:30
004 05y10 7 10:30
14|13|12|11|10|9

1 Folder icon

Displays the icon of the current folder. You can change the icon with the "Edit Folder" in the menu.

2 Priority marks

Displays the priority marks specified with the "Priority" with the menu. You can renumber the messages in the order of their priority.

3 Selected message number/Total number of the messages in the selected folder

Displays the current message number and the total number of messages in the selected folder.

4 Alarm indicator

Appears when the alarm is set for a message.

5 Playback slider

Displays the current playback position.

6 Counter (Elapsed time)/Remaining time / Message name indication

The display menu selected with the "Display" in the menu appears.

Elapse: Displays the elapsed playback/recording time of one message (counter).

Repeat: Displays the remaining time of one message (counter).

Message name indication: Displays the message name (title) if it is specified with the supplied Digital Voice Editor. (Some characters that are not compatible with the unit may not be displayed.)

7 Remain:

Displays the remaining time of the message in the playback mode and the remaining recordable time in the stop and recording modes.

► Various Ways of Recording

Adding a Recording to a Previously Recorded Message

You can add a recording to the message being played back.

Notes

- At a factory setting, you cannot add a recording not to erase the message by accidental operation. To add or overwrite a recording, set the "Add/Over" in the menu to "Add REC" or "Overwrite".
- The added or overwritten portion of a message will be recorded in the same recording mode (ST, STLP, SP or LP) as the original message, regardless of the current recording mode setting.
- You cannot add or overwrite a recording if the remaining memory is not long enough. For more information, see "Troubleshooting".

When "Add REC" is selected in the menu

The added recording will be placed after the current message and counted as a part of the message.

During playback of Message 3

After adding a recording

When "Overwrite" is selected in the menu

You can add or overwrite recording after the selected point in a recorded message. The part of the message after the selected point is deleted.

The starting point of an overwrite recording

Added overwrite recording in Message 3

1 During playback, press **PH (PAUSE) briefly.**

The "Add REC" or "Overwrite" will appear and the unit stops in the recording stand-by mode.

2 While the "Add REC" or "Overwrite" appears, press **PH (PAUSE) again.**

The OPR indicator will turn in red. An add or overwrite recording starts.

3 Press **STOP to stop the recording.**

Recording with an External Microphone or Other Equipment

Recording with an external microphone

Connect an external microphone to the ϕ (microphone) jack.

When you connect an external microphone, the built-in microphone is automatically cut off. When a plug-in power type microphone is connected, power is automatically supplied to the microphone from the IC recorder.

External Stereo microphone (not supplied)

To the ϕ (microphone) jack

Recommended types of microphones

You can use the ECM-CS10 Sony electret condenser microphone (not supplied).

Recording from other equipment

To record the sound of other equipment with the IC recorder, connect the ϕ (microphone) jack of the IC recorder to the earphone jack of other equipment (tape recorder etc.) by using a resistance audio connecting cable.

Before you start recording, set the microphone sensitivity by setting the "Mic Sense" in the menu to "High".

Note

If you use an audio connecting cable without a resistor, sound may be recorded interrupted. Make sure to use a resistance audio connecting cable.

Recording with other equipment

To record the sound of the IC recorder with other equipment, connect the ϕ (headphones) jack of the IC recorder to the audio or line input connector (stereo mini-plug) of other equipment.

To the audio or line input connector (stereo miniplug)

Audio connecting cable with attenuator (not supplied)

To the ϕ (headphones) jack

Notes

• Make sure that the plugs are connected securely.

• We recommend you make a trial recording to check the connections and volume control.

• When connecting equipment other than Sony's, refer to the instruction manual of the equipment.

► Various Ways of Playback

Locating quickly the point you wish to start playback (Easy Search)

You can quickly locate the point you wish to start playback by pressing **PH** (PAUSE) repeatedly.

During playback. This function is useful when locating a desired point in a long recording.

Set "Easy Search" in the menu as follows:

ON: You can go back for approx. 3 seconds by pressing **PH** (PAUSE).

OFF: You can go back or forward the messages by pressing **PH** (PAUSE) repeatedly.

OFF: You can go back or forward the messages by pressing **PH** (PAUSE) repeatedly.

OFF: You can go back or forward the messages by pressing **PH** (PAUSE) repeatedly.

OFF: You can go back or forward the messages by pressing **PH** (PAUSE) repeatedly.

OFF: You can go back or forward the messages by pressing **PH** (PAUSE) repeatedly.

OFF: You can go back or forward the messages by pressing **PH** (PAUSE) repeatedly.

OFF: You can go back or forward the messages by pressing **PH** (PAUSE) repeatedly.

OFF: You can go back or forward the messages by pressing **PH** (PAUSE) repeatedly.

OFF: You can go back or forward the messages by pressing **PH** (PAUSE) repeatedly.

OFF: You can go back or forward the messages by pressing **PH** (PAUSE) repeatedly.

OFF: You can go back or forward the messages by pressing **PH** (PAUSE) repeatedly.

OFF: You can go back or forward the messages by pressing **PH** (PAUSE) repeatedly.

OFF: You can go back or forward the messages by pressing **PH** (PAUSE) repeatedly.

OFF: You can go back or forward the messages by pressing **PH** (PAUSE) repeatedly.

OFF: You can go back or forward the messages by pressing **PH** (PAUSE) repeatedly.

OFF: You can go back or forward the messages by pressing **PH** (PAUSE) repeatedly.

OFF: You can go back or forward the messages by pressing **PH** (PAUSE) repeatedly.

OFF: You can go back or forward the messages by pressing **PH** (PAUSE) repeatedly.

OFF: You can go back or forward the messages by pressing **PH** (PAUSE) repeatedly.

OFF: You can go back or forward the messages by pressing **PH** (PAUSE) repeatedly.

OFF: You can go back or forward the messages by pressing **PH** (PAUSE) repeatedly.

OFF: You can go back or forward the messages by pressing **PH** (PAUSE) repeatedly.

OFF: You can go back or forward the messages by pressing **PH** (PAUSE) repeatedly.

OFF: You can go back or forward the messages by pressing **PH** (PAUSE) repeatedly.

OFF: You can go back or forward the messages by pressing **PH** (PAUSE) repeatedly.

OFF: You can go back or forward the messages by pressing **PH** (PAUSE) repeatedly.

OFF: You can go back or forward the messages by pressing **PH** (PAUSE) repeatedly.

OFF: You can go back or forward the messages by pressing **PH** (PAUSE) repeatedly.

OFF: You can go back or forward the messages by pressing **PH** (PAUSE) repeatedly.

OFF: You can go back or forward the messages by pressing **PH** (PAUSE) repeatedly.

OFF: You can go back or forward the messages by pressing **PH** (PAUSE) repeatedly.

OFF: You can go back or forward the messages by pressing **PH** (PAUSE) repeatedly.

OFF: You can go back or forward the messages by pressing **PH** (PAUSE) repeatedly.

OFF: You can go back or forward the messages by pressing **PH** (PAUSE) repeatedly.

OFF: You can go back or forward the messages by pressing **PH** (PAUSE) repeatedly.

OFF: You can go back or forward the messages by pressing **PH** (PAUSE) repeatedly.

OFF: You can go back or forward the messages by pressing **PH** (PAUSE) repeatedly.

OFF: You can go back or forward the messages by pressing **PH** (PAUSE) repeatedly.

OFF: You can go back or forward the messages by pressing **PH** (PAUSE) repeatedly.

OFF: You can go back or forward the messages by pressing **PH** (PAUSE) repeatedly.

OFF: You can go back or forward the messages by pressing **PH** (PAUSE) repeatedly.

OFF: You can go back or forward the messages by pressing **PH** (PAUSE) repeatedly.

OFF: You can go back or forward the messages by pressing **PH** (PAUSE) repeatedly.

OFF: You can go back or forward the messages by pressing **PH** (PAUSE) repeatedly.

OFF: You can go back or forward the messages by pressing **PH** (PAUSE) repeatedly.

OFF: You can go back or forward the messages by pressing **PH** (PAUSE) repeatedly.

OFF: You can go back or forward the messages by pressing **PH** (PAUSE) repeatedly.

OFF: You can go back or forward the messages by pressing **PH** (PAUSE) repeatedly.

OFF: You can go back or forward the messages by pressing **PH** (PAUSE) repeatedly.

OFF: You can go back or forward the messages by pressing **PH** (PAUSE) repeatedly.

OFF: You can go back or forward the messages by pressing **PH** (PAUSE) repeatedly.

OFF: You can go back or forward the messages by pressing **PH** (PAUSE) repeatedly.

OFF: You can go back or forward the messages by pressing **PH** (PAUSE) repeatedly.

OFF: You can go back or forward the messages by pressing **PH** (PAUSE) repeatedly.

OFF: You can go back or forward the messages by pressing **PH** (PAUSE) repeatedly.

Playing Back a Message at a Desired Time with an Alarm

You can sound an alarm and start playback of a selected message at a desired time. You can have the message played back at a specified date, once every week, or the same time everyday.

You can also sound the alarm without playing back a message.

Note

When the clock is not set or no messages are recorded, you cannot set the alarm.

1 Display the message you want to set the alarm.

2 Enter the alarm setting mode.

Press **PH** (MENU), and select **(Edit)** by pressing **PH** (PAUSE), and then press **PH** (PAUSE).

Press **PH** (PAUSE) to select "Alarm" and press **PH** (PAUSE). The alarm setting mode will be displayed.

Press **PH** (PAUSE) to select "ON" and press **PH** (PAUSE). The window for setting the alarm date will be displayed.

Press **PH** (PAUSE) to select "DATE" and press **PH** (PAUSE). The month digits will be selected.

Press **PH** (PAUSE) to select "YEAR" and press **PH** (PAUSE). The year digits will be selected.

Press **PH** (PAUSE) to select "DAY" and press **PH** (PAUSE). The day digits will be selected.

Press **PH** (PAUSE) to select "MON" and press **PH** (PAUSE). The month and day in sequences will be selected.

Press **PH** (PAUSE) to select "DATE" and press **PH** (PAUSE). The month digits will be selected.

Press **PH** (PAUSE) to select "YEAR" and press **PH** (PAUSE). The year digits will be selected.

Press **PH** (PAUSE) to select "DAY" and press **PH** (PAUSE). The day digits will be selected.

Press **PH** (PAUSE) to select "MON" and press **PH** (PAUSE). The month and day in sequences will be selected.

Press **PH** (PAUSE) to select "DATE" and press **PH** (PAUSE). The month digits will be selected.

Press **PH** (PAUSE) to select "YEAR" and press **PH** (PAUSE). The year digits will be selected.

Press **PH** (PAUSE) to select "DAY" and press **PH** (PAUSE). The day digits will be selected.

Press **PH** (PAUSE) to select "MON" and press **PH** (PAUSE). The month and day in sequences will be selected.

Press **PH** (PAUSE) to select "DATE" and press **PH** (PAUSE). The month digits will be selected.

Press **PH** (PAUSE) to select "YEAR" and press **PH** (PAUSE). The year digits will be selected.

Press **PH** (PAUSE) to select "DAY" and press **PH** (PAUSE). The day digits will be selected.

Press **PH** (PAUSE) to select "MON" and press **PH** (PAUSE). The month and day in sequences will be selected.

Press **PH** (PAUSE) to select "DATE" and press **PH** (PAUSE). The month digits will be selected.

Press **PH** (PAUSE) to select "YEAR" and press **PH** (PAUSE). The year digits will be selected.

Press **PH** (PAUSE) to select "DAY" and press **PH** (PAUSE). The day digits will be selected.

Press **PH** (PAUSE) to select "MON" and press **PH** (PAUSE). The month and day in sequences will be selected.

Press **PH** (PAUSE) to select "DATE" and press **PH** (PAUSE). The month digits will be selected.

Press **PH** (PAUSE) to select "YEAR" and press **PH** (PAUSE). The year digits will be selected.

Press **PH** (PAUSE) to select "DAY" and press **PH** (PAUSE). The day digits will be selected.

Press **PH** (PAUSE) to select "MON" and press **PH** (PAUSE). The month and day in sequences will be selected.

Press **PH** (PAUSE) to select "DATE" and press **PH** (PAUSE). The month digits will be selected.

Press **PH** (PAUSE) to select "YEAR" and press **PH** (PAUSE). The year digits will be selected.

Press **PH** (PAUSE) to select "DAY" and press **PH** (PAUSE). The day digits will be selected.

Press **PH** (PAUSE) to select "MON" and press **PH** (PAUSE). The month and day in sequences will be selected.

Press **PH** (PAUSE) to select "DATE" and press **PH** (PAUSE). The month digits will be selected.

Press **PH** (PAUSE) to select "YEAR" and press **PH** (PAUSE). The year digits will be selected.

Press **PH** (PAUSE) to select "DAY" and press **PH** (PAUSE). The day digits will be selected.

Press **PH** (PAUSE) to select "MON" and press **PH** (PAUSE). The month and day in sequences will be selected.

Press **PH** (PAUSE) to select "DATE" and press **PH** (PAUSE). The month digits will be selected.

Press **PH** (PAUSE) to select "YEAR" and press **PH** (PAUSE). The year digits will be selected.

Press **PH** (PAUSE) to select "DAY" and press **PH** (PAUSE). The day digits will be selected.

Press **PH** (PAUSE) to select "MON" and press **PH** (PAUSE). The month and day in sequences will be selected.

Press **PH** (PAUSE) to select "DATE" and press **PH** (PAUSE). The month digits will be selected.

Press **PH** (PAUSE) to select "YEAR" and press **PH** (PAUSE). The year digits will be selected.

Press **PH** (PAUSE) to select "DAY" and press **PH** (PAUSE). The day digits will be selected.

Press **PH** (PAUSE) to select "MON" and press **PH** (PAUSE). The month and day in sequences will be selected.

Press **PH** (PAUSE) to select "DATE" and press **PH** (PAUSE). The month digits will be selected.

Press **PH** (PAUSE) to select "YEAR" and press **PH** (PAUSE). The year digits will be selected.

Press **PH** (PAUSE) to select "DAY" and press **PH** (PAUSE). The day digits will be selected.

Press **PH** (PAUSE) to select "MON" and press **PH** (PAUSE). The month and day in sequences will be selected.

Press **PH** (PAUSE) to select "DATE" and press **PH** (PAUSE). The month digits will be selected.

Press **PH** (PAUSE) to select "YEAR" and press **PH** (PAUSE). The year digits will be selected.

Press **PH** (PAUSE) to select "DAY" and press **PH** (PAUSE). The day digits will be selected.

Press **PH** (PAUSE) to select "MON" and press **PH** (PAUSE). The month and day in sequences will be selected.

Press **PH** (PAUSE) to select "DATE" and press **PH** (PAUSE). The month digits will be selected.

Press **PH** (PAUSE) to select "YEAR" and press **PH** (PAUSE). The year digits will be selected.

Press **PH** (PAUSE) to select "DAY" and press **PH** (PAUSE). The day digits will be selected.

Press **PH** (PAUSE) to select "MON" and press **PH** (PAUSE). The month and day in sequences will be selected.

Press **PH** (PAUSE) to select "DATE" and press **PH** (PAUSE). The month digits will be selected.

Press **PH** (PAUSE) to select "YEAR" and press **PH** (PAUSE). The year digits will be selected.

Press **PH** (PAUSE) to select "DAY" and press **PH** (PAUSE). The day digits will be selected.

Press **PH** (PAUSE) to select "MON" and press **PH** (PAUSE). The month and day in sequences will be selected.

Press **PH** (PAUSE) to select "DATE" and press **PH** (PAUSE). The month digits will be selected.

Press **PH** (PAUSE) to select "YEAR" and press **PH** (PAUSE). The year digits will be selected.

Press **PH** (PAUSE) to select "DAY" and press **PH** (PAUSE). The day digits will be selected.

Press **PH** (PAUSE) to select "MON" and press **PH** (PAUSE). The month and day in sequences will be selected.

Press **PH** (PAUSE) to select "DATE" and press **PH** (PAUSE). The month digits will be selected.

Press **PH** (PAUSE) to select "YEAR" and press **PH** (PAUSE). The year digits will be selected.

Press **PH** (PAUSE) to select "DAY" and press **PH** (PAUSE). The day digits will be selected.

Press **PH** (PAUSE) to select "MON" and press **PH** (PAUSE). The month and day in sequences will be selected.

Press **PH** (PAUSE) to select "DATE" and press **PH** (PAUSE). The month digits will be selected.

Press **PH** (PAUSE) to select "YEAR" and press **PH** (PAUSE). The year digits will be selected.

Press **PH** (PAUSE) to select "DAY" and press **PH** (PAUSE). The day digits will be selected.

Press **PH** (PAUSE) to select "MON" and press **PH** (PAUSE). The month and day in sequences will be selected.

Press **PH** (PAUSE) to select "DATE" and press **PH** (PAUSE). The month digits will be selected.

Press **PH** (PAUSE) to select "YEAR" and press **PH** (PAUSE). The year digits will be selected.

Press **PH** (PAUSE) to select "DAY" and press **PH** (PAUSE). The day digits will be selected.

Press **PH** (PAUSE) to select "MON" and press **PH** (PAUSE). The month and day in sequences will be selected.

Press **PH** (PAUSE) to select "DATE" and press **PH** (PAUSE). The month digits will be selected.

Press **PH** (PAUSE) to select "YEAR" and press **PH** (PAUSE). The year digits will be selected.

Press **PH** (PAUSE) to select "DAY" and press **PH** (PAUSE). The day digits will be selected.

Press **PH** (PAUSE) to select "MON" and press **PH** (PAUSE). The month and day in sequences will be selected.

Press **PH** (PAUSE) to select "DATE" and press **PH** (PAUSE). The month digits will be selected.

Press **PH** (PAUSE) to select "YEAR" and press **PH** (PAUSE). The year digits will be selected.

Press **PH** (PAUSE) to select "DAY" and press **PH** (PAUSE). The day digits will be selected.

Press **PH** (PAUSE) to select "MON" and press **PH** (PAUSE). The month and day in sequences will be selected.

Press **PH** (PAUSE) to select "DATE" and press **PH** (PAUSE). The month digits will be selected.

Press **PH** (PAUSE) to select "YEAR" and press **PH** (PAUSE). The year digits will be selected.

Press **PH** (PAUSE) to select "DAY" and press **PH** (PAUSE). The day digits will be selected.

Press **PH** (PAUSE) to select "MON" and press **PH** (PAUSE). The month and day in sequences will be selected.

Press **PH** (PAUSE) to select "DATE" and press **PH** (PAUSE). The month digits will be selected.

Press **PH** (PAUSE) to select "YEAR" and press **PH** (PAUSE). The year digits will be selected.

Press **PH** (PAUSE) to select "DAY" and press **PH** (PAUSE). The day digits will be selected.

Press **PH** (PAUSE) to select "MON" and press **PH** (PAUSE). The month and day in sequences will be selected.

Press **PH** (PAUSE) to select "DATE" and press **PH** (PAUSE). The month digits will be selected.

Press **PH** (PAUSE) to select "YEAR" and press **PH** (PAUSE). The year digits will be selected.

Press **PH** (PAUSE) to select "DAY" and press **PH** (PAUSE). The day digits will be selected.

Press **PH** (PAUSE) to select "MON" and press **PH** (PAUSE). The month and day in sequences will be selected.

Press **PH** (PAUSE) to select "DATE"